

DIRECT ACTING SOLENOID VALVE G¹/₈ Stainless Steel

Aggressive Media

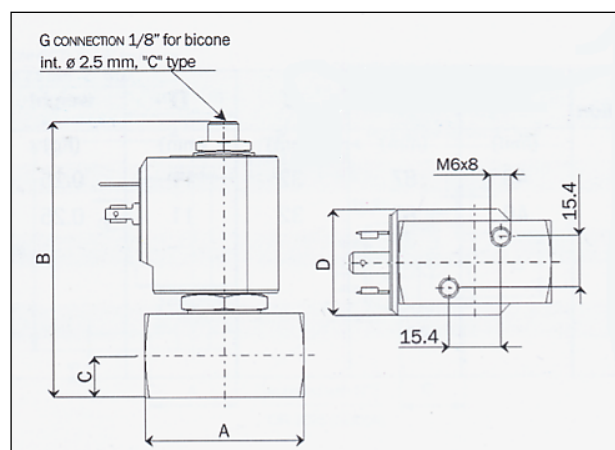
Wetted Materials	Stainless Steel, AISI 303 EN 10088-3 FKM (Main Seal)
Ambient Temperature	-10 ~ +50 °C
Media Temperature	-10 ~ +130 °C
Media Viscosity	21 mm ² /s Max
Electrical	AC 36VA Inrush AC 18VA Holding DC 14W
Protection	IP65 with Connector
Flow Direction	Port 2 → 1



3/2 Normally Closed
For use with Open & Closed Systems

Connection	Part Number	Orifice	Operating Pressure Differential—bar			Flow (kv) l/min	Weight kg
			Min	AC	DC		
G ¹ / ₈ Inches	D398CVC	1.5 mm	0	15	15	1.3	0.35
G ¹ / ₈	D398CVE	2.0	0	10	10	2.2	0.35
G ¹ / ₈	D398CVG	2.5	0	7	7	3.4	0.35

Standard Voltages: DC: 24V ; AC: 24V 50Hz, 110V 50Hz, 230V 50Hz.
Other Voltages available to Special Order.



Dimensions

mm	A	B	C	D
G¹/₈	44	88	12.5	32

Spares Kits

FKM	D014CVH

Options—Change codes as follows

EPDM Seals	Code D398CEG
Normally Open	Code RD398CVE
Silver Shading Ring	Code D398CVEA