

316L Stainless Steel Body Normally Open Version G½ ~ G2

**Oil, Air, Aggressive Media
Steam—9 barg max (180 °C)**

Wetted Materials AISI 316L Stainless Steel
 PTFE (Main Seal)

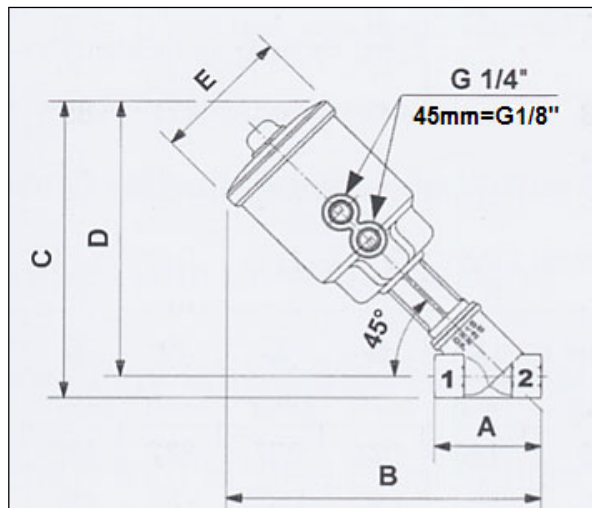
Ambient Temperature -10 ~ +60 °C
Media Temperature -10 ~ +180 °C
Media Viscosity 600 mm²/s max
Actuator Polyamide PA6 (30% GF)
Actuator Rotation 360°
Vacuum (45mm Only) 10⁻² mbar max
Flow Direction 2 → 1 (Under seat)



2/2 Normally Open

Connection	Part Number	Actuator Ø	Orifice	Operating Pressure Differential Barg		Pilot Pressure Bar (for OPD max) Refer to Charts		Flow (kv) l/min	Weight kg
				Min	Max	Min	Max		
G½	RPG205CTW00	45	15	Vacuum	16	4.0	10	98	0.8
G¾	RPG206CTX00	45	20	Vacuum	16	6.2	10	164	0.9
G½	RPG205STW00	63	15	0	16	2.5	10	98	1.2
G¾	RPG206STX00	63	20	0	16	4.3	10	164	1.3
G1	RPG207STY00	63	25	0	16	5.5	10	260	1.5
G1¼	RPG208STZ00	63	32	0	16	6.5	10	410	1.9
G1½	RPG209STK00	63	40	0	16	9	10	700	2.1
G2	RPG210STJ00	63	50	0	12	9.4	10	950	2.9

Direct Mount 3/2 Banjo Pilot Solenoid Valve— 45mm Actuator B356CVCMK + Voltage
63mm Actuator B326CVCMK + Voltage



Dimensions

mm	Act'r	A	B	C	D	E
G½	45	65	144	136	123	57
G¾	45	75	149	142	126	57
G½	63	65	192	184	171	85
G¾	63	75	198	192	176	85
G1	63	90	212	205	185	85
G1¼	63	110	225	217	193	85
G1½	63	120	230	225	198	85
G2	63	150	248	241	207	85