

**Bronze Body Normally Open Version G $\frac{1}{2}$  ~ G2**

**Oil, Air, Aggressive Media  
Steam—9 barg max (180 °C)**

Wetted Materials      Bronze CC419K EN 1982:2000  
                                  Brass CW617 N EN 12165  
                                  Stainless Steel  
                                  PTFE (Main Seal)

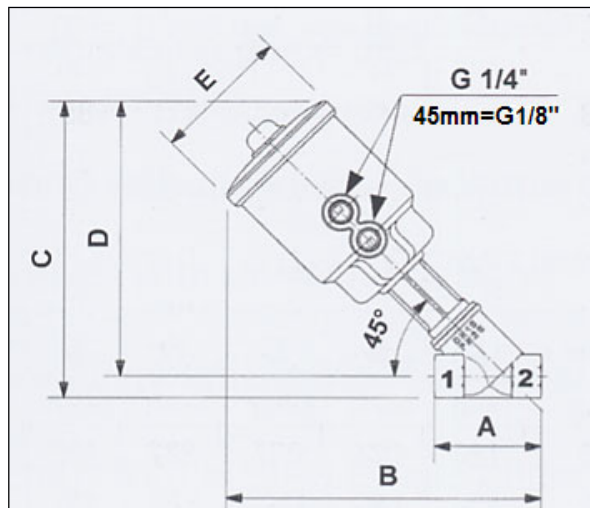
Ambient Temperature    -10 ~ +60 °C  
 Media Temperature      -10 ~ +180 °C  
 Media Viscosity         600 mm<sup>2</sup>/s max  
 Actuator                  Polyamide PA6 (30% GF)  
 Actuator Rotation        360°  
 Vacuum (45mm Only)   10<sup>-2</sup> mbar max  
 Flow Direction          2 → 1 (Under seat)



2/2 Normally Open

Connection	Part Number	Actuator Ø	Orifice	Operating Pressure Differential Barg		Pilot Pressure Bar (for OPD max) Refer to Charts		Flow (kv) l/min	Weight kg
				Min	Max	Min	Max		
Inches		mm	mm						
G $\frac{1}{2}$	<b>RCG205CTW00</b>	45	15	Vacuum	16	4.0	10	98	0.8
G $\frac{3}{4}$	<b>RCG206CTX00</b>	45	20	Vacuum	16	6.2	10	164	0.9
G1	<b>RCG207CTY00</b>	45	25	Vacuum	16	8.8	10	260	1.1
G $\frac{1}{2}$	<b>RCG205STW00</b>	63	15	0	16	2.5	10	98	1.2
G $\frac{3}{4}$	<b>RCG206STX00</b>	63	20	0	16	4.3	10	164	1.3
G1	<b>RCG207STY00</b>	63	25	0	16	5.5	10	260	1.5
G1 $\frac{1}{4}$	<b>RCG208STZ00</b>	63	32	0	16	6.5	10	410	1.9
G1 $\frac{1}{2}$	<b>RCG209STK00</b>	63	40	0	16	9	10	700	2.1
G2	<b>RCG210STJ00</b>	63	50	0	12	9.4	10	950	2.9

Direct Mount 3/2 Banjo Pilot Solenoid Valve— 45mm Actuator B356CVCMK + Voltage  
 63mm Actuator B326CVCMK + Voltage



**Dimensions**

mm	Act'r	A	B	C	D	E
<b>G<math>\frac{1}{2}</math></b>	45	65	144	136	123	57
<b>G<math>\frac{3}{4}</math></b>	45	75	149	142	126	57
<b>G1</b>	45	90	168	161	141	57
<b>G<math>\frac{1}{2}</math></b>	63	65	192	184	171	85
<b>G<math>\frac{3}{4}</math></b>	63	75	198	192	176	85
<b>G1</b>	63	90	212	205	185	85
<b>G1<math>\frac{1}{4}</math></b>	63	110	225	217	193	85
<b>G1<math>\frac{1}{2}</math></b>	63	120	230	225	198	85
<b>G2</b>	63	150	248	241	207	85