

**316L Stainless Steel Body Standard Version G $\frac{1}{2}$  ~ G2**

**Oil, Air, Aggressive Media  
Steam—9 barg max (180 °C)**

Wetted Materials           AISI 316L Stainless Steel  
                                      PTFE (Main Seal)

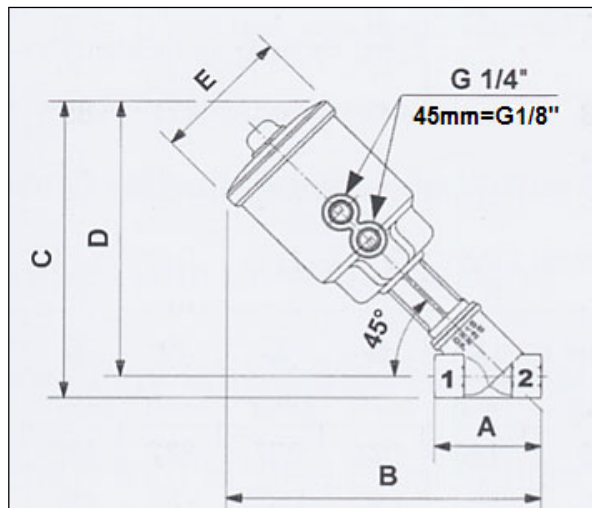
Ambient Temperature    -10 ~ +60 °C  
Media Temperature       -10 ~ +180 °C  
Media Viscosity           600 mm<sup>2</sup>/s max  
Actuator                    Polyamide PA6 (30% GF)  
Actuator Rotation        360°  
Vacuum (45mm Only)    10<sup>-2</sup> mbar max  
Flow Direction            1 → 2 (Over seat)



2/2 Normally Closed

Connection	Part Number	Actuator Ø	Orifice	Operating Pressure Differential Barg		Pilot Pressure Bar (for OPD max) Refer to Charts		Flow (kv) l/min	Weight kg
				Min	Max	Min	Max		
Inches		mm	mm						
G $\frac{1}{2}$	<b>PG205CTW00</b>	45	15	Vacuum	16	3.8	10	98	0.8
G $\frac{3}{4}$	<b>PG206CTX00</b>	45	20	Vacuum	16	5.8	10	164	0.9
G $\frac{1}{2}$	<b>PG205STW00</b>	63	15	0	20	3.7	10	98	1.2
G $\frac{3}{4}$	<b>PG206STX00</b>	63	20	0	20	4.4	10	164	1.3
G1	<b>PG207STY00</b>	63	25	0	20	5	10	260	1.5
G1 $\frac{1}{4}$	<b>PG208STZ00</b>	63	32	0	16	5.9	10	410	1.9
G1 $\frac{1}{2}$	<b>PG209STK00</b>	63	40	0	16	9	10	700	2.1
G2	<b>PG210STJ00</b>	63	50	0	11	8	10	950	2.9

Direct Mount 3/2 Banjo Pilot Solenoid Valve— 45mm Actuator B356CVCMK + Voltage  
63mm Actuator B326CVCMK + Voltage



**Dimensions**

mm	Act'r	A	B	C	D	E
<b>G<math>\frac{1}{2}</math></b>	45	65	144	136	123	57
<b>G<math>\frac{3}{4}</math></b>	45	75	149	142	126	57
<b>G<math>\frac{1}{2}</math></b>	63	65	192	184	171	85
<b>G<math>\frac{3}{4}</math></b>	63	75	198	192	176	85
<b>G1</b>	63	90	212	205	185	85
<b>G1<math>\frac{1}{4}</math></b>	63	110	225	217	193	85
<b>G1<math>\frac{1}{2}</math></b>	63	120	230	225	198	85
<b>G2</b>	63	150	248	241	207	85