

Bronze Body Standard Version G $\frac{1}{2}$ ~ G2

**Oil, Air, Aggressive Media
Steam—9 barg max (180 °C)**

Wetted Materials Bronze CC419K EN 1982:2000
 Brass CW617 N EN 12165
 Stainless Steel
 PTFE (Main Seal)

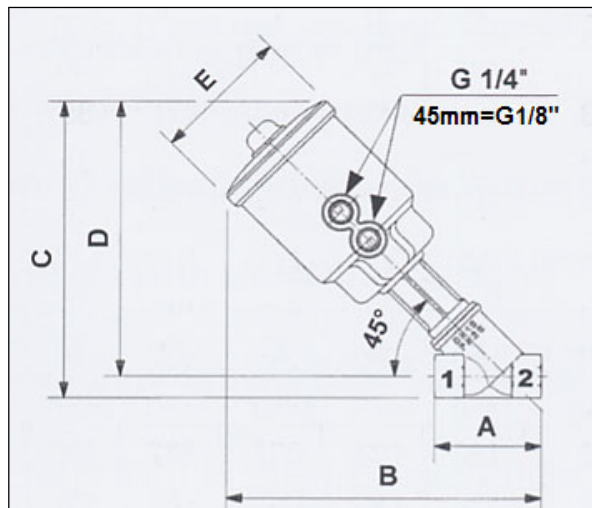
Ambient Temperature -10 ~ +60 °C
 Media Temperature -10 ~ +180 °C
 Media Viscosity 600 mm²/s max
 Actuator Polyamide PA6 (30% GF)
 Actuator Rotation 360°
 Vacuum (45mm Only) 10⁻² mbar max
 Flow Direction 1 → 2 (Over seat)



2/2 Normally Closed

Connection	Part Number	Actuator Ø	Orifice	Operating Pressure Differential Barg		Pilot Pressure Bar (for OPD max) Refer to Charts		Flow (kv) l/min	Weight kg
				Min	Max	Min	Max		
Inches		mm	mm						
G $\frac{1}{2}$	CG205CTW00	45	15	Vacuum	16	3.8	10	98	0.8
G $\frac{3}{4}$	CG206CTX00	45	20	Vacuum	16	5.8	10	164	0.9
G1	CG207CTY00	45	25	Vacuum	16	6.5	10	260	1.1
G $\frac{1}{2}$	CG205STW00	63	15	0	20	3.7	10	98	1.2
G $\frac{3}{4}$	CG206STX00	63	20	0	20	4.4	10	164	1.3
G1	CG207STY00	63	25	0	20	5	10	260	1.5
G1 $\frac{1}{4}$	CG208STZ00	63	32	0	16	5.9	10	410	1.9
G1 $\frac{1}{2}$	CG209STK00	63	40	0	16	9	10	700	2.1
G2	CG210STJ00	63	50	0	12	8	10	950	2.9

Direct Mount 3/2 Banjo Pilot Solenoid Valve— 45mm Actuator B356CVCMK + Voltage
 63mm Actuator B326CVCMK + Voltage



Dimensions

mm	Act'r	A	B	C	D	E
G$\frac{1}{2}$	45	65	144	136	123	57
G$\frac{3}{4}$	45	75	149	142	126	57
G1	45	90	168	161	141	57
G$\frac{1}{2}$	63	65	192	184	171	85
G$\frac{3}{4}$	63	75	198	192	176	85
G1	63	90	212	205	185	85
G1$\frac{1}{4}$	63	110	225	217	193	85
G1$\frac{1}{2}$	63	120	230	225	198	85
G2	63	150	248	241	207	85